

- 1
- 2
- 3
- 4
- 5
- 6
- 7
- 8
- 9
- 10**
- 11
- 12
- 13
- 14
- 15
- RH

Levelling elements and supports

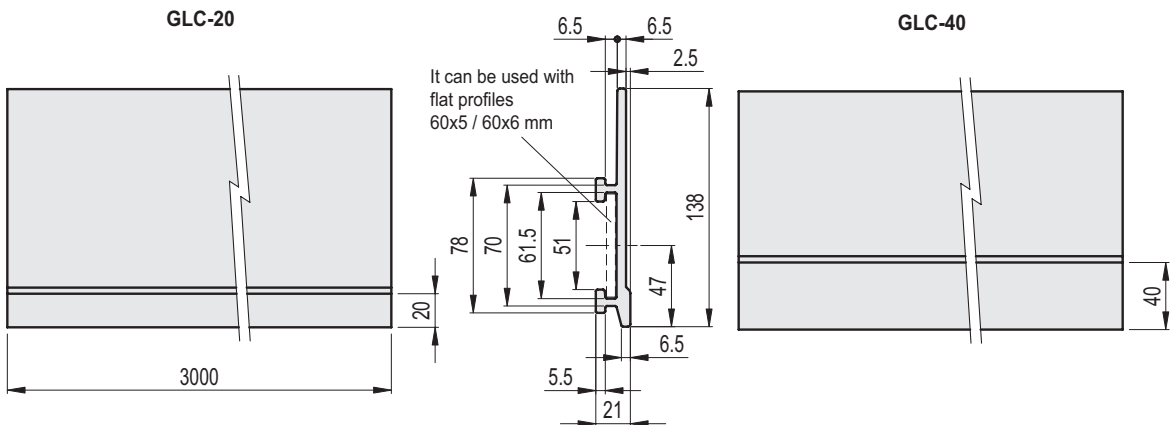
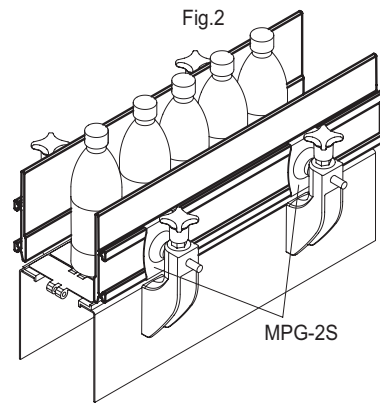
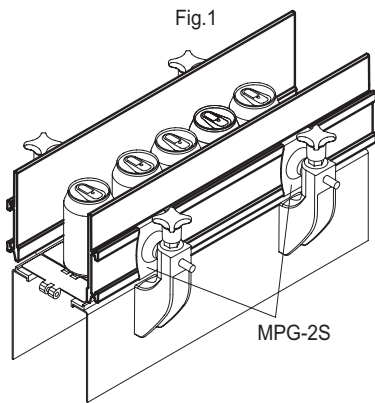
**MATERIAL**  
Polyethylene based (HMWPE) technopolymer, black colour.

**STANDARD EXECUTIONS**  
- **GLC-20**: with ledge 20 mm.  
- **GLC-40**: with ledge 40 mm.

**FEATURES AND APPLICATIONS**  
GLC side guides are used for the side guide of products with different vertical dimensions on conveyor belts.  
High molecular weight polyethylene (HMWPE) has a high wear resistance; it is particularly suitable for high-speed movements due to its low coefficient of friction.  
Depending on the product to transport, it is recommended to use:  
- GLC-20: for the guide of products with limited vertical dimensions (Fig.1);  
- GLC-40: for the guide of products with important vertical dimensions (Fig.2);  
Supplied in bars of 3 meters length.

**SPECIAL EXECUTIONS ON REQUEST**  
Side guides in different colours.

**ACCESSORIES ON REQUEST**  
Guide rail clamps MPG-2S.



**GLC-20** METRIC

Code	Description	⚖️
419191	GLC-138-20-3000	3300

**GLC-40** METRIC

Code	Description	⚖️
419192	GLC-138-40-3000	3300